

EFNOTE DRUMS

Optional Components

## Owner's Manual



EN

### CAUTION

- Do not place the product in an unstable location**  
Doing so may cause the product to overturn, causing personal injury.
- Do not sit or stand on the product, or place heavy objects on it**  
Doing so may damage the product. You should also avoid applying excessive force to the buttons, knobs, display, and input/output jacks. Doing so will cause malfunctions.
- Disconnect all connections before moving the product**  
Failure to do so may cause damage to the power cord or cables, or may cause people to trip over the cables.
- Handle the product with care**  
Take care that your hands or fingers are not injured by corners, edges or openings of the product.
- Keep small parts out of reach of children**  
Keep small parts out of reach of children who might accidentally swallow them.
- Supervise or give guidance when children use this product or children are present around this product**  
Always take care that children are not injured with this product.

## Important Information

### Placement

- To prevent it from falling or overturning, mount items firmly to the stand.
- Take care that children are not injured.
- The bass drum's spars (legs) or stand legs might scratch or soil the floor. Use a mat or similar object to protect the floor.
- For the drum shell that uses natural wood, do not place or store it in an extremely dry location or a location where extremely high temperatures might occur, such as in direct sunlight, in a vehicle during the daytime, or near a stove. Such conditions might cause the unit to deform, discolor, or crack, and might cause internal components to malfunction.

### Cleaning

- Use a soft dry cloth to clean the product. Do not use benzene, thinner, detergent, or chemically treated cloth, since these can cause deformation or discoloration.

### Others

- Percussive sounds occur when you play the product. Take care that the sounds are not annoying to those nearby.
- Company names or product names etc. appearing in this document are the registered trademarks or trademarks of their respective corporate owners.
- EFNOTE is a trademark or registered trademark of Ef-Note Inc.
- All illustrations and screens appearing in this document are for the purpose of explaining operation, and may differ from the actual product or specifications.

## IMPORTANT SAFETY INSTRUCTIONS

FAILURE TO OBSERVE THE FOLLOWING SAFETY INSTRUCTIONS MAY RESULT IN FIRE, ELECTRIC SHOCK, INJURY TO PERSONS, OR DAMAGE TO OTHER ITEMS OR PROPERTY.

You must read and follow these instructions, heed all warnings, before using this product. Please keep this manual for future reference.

### About warnings and cautions

	<b>WARNING</b>	Indicates a hazard that could result in death or serious injury
	<b>CAUTION</b>	Indicates a hazard that could result in injury or property damage

### About the symbols

	"Caution": Calls your attention to a point of caution
	"Do not ...": Indicates a prohibited action
	"You must ...": Indicates a required action

### WARNING

To reduce the risk of fire or electric shock, do not expose this product to rain or moisture



**Do not use or store in the following locations**

- Locations subject to water or rain
- Moist or humid locations (near a bath or shower, or on a wet floor)
- High temperature locations (in direct sunlight, near heating equipment)
- Locations subject to salt damage
- Excessively dusty locations



**Turn the power off if an abnormality or accident occurs**

In the following situations, immediately turn off the power, disconnect the AC adapter from the AC outlet, and contact your dealer.

- If the AC adapter, power cord, or plug is damaged
- If smoke is emitted or an abnormal odor is noticed
- If liquid or a foreign object enters the product
- If an abnormality or malfunction occurs in the product



**Do not drop or subject to strong impact**

Do not drop this product or subject it to strong impact.



**Do not disassemble**

Do not disassemble or modify this product and AC adapter.

### For EU countries



This symbol on the product means that used electrical and electronic equipment should not be mixed with general household waste. The correct disposal will help prevent potential negative effects on human health and the environment. For proper treatment, recovery and recycling, please contact your city office, waste disposal servicer or the shop which you purchased the product.

### For the USA

#### WARNING

This product contains a chemical known to the State of California to cause cancer, birth defects or other reproductive harm.

### For China

#### 产品中有毒有害物质或元素的名称及含量

部件名称	有毒有害物质或元素					
	铅 (pb)	汞 (Hg)	镉 (Cd)	六价铬 (Cr(VI))	多溴联苯 (PBB)	多溴二苯醚 (PBDE)
喇叭	○	○	○	○	○	○
PCBA	×	○	○	○	○	○
蜂鸣片	×	○	○	○	○	○
木制件	○	○	○	○	○	○
塑料件	○	○	○	○	○	○
金属件	○	○	○	○	○	○
部分铜合金件	×	○	○	○	○	○
包装材料	○	○	○	○	○	○

○:表示该有毒有害物质在该部件所有均质材料中的含量均在GB/T26572-2011规定的限量要求以下。  
×:表示该有毒有害物质至少在该部件的某一均质材料中的含量超出GB/T26572-2011标准规定的限量要求。  
根据中华人民共和国工业和信息化部公告2018第15号文件,属于“达标管理目录限用物质应用例外清单”中的物质



此标识符合SJ/T 11364-2014的规定,标识中间的数字为环保使用期限的年数。

For the detailed information of the optional components, please visit the EFNOTE website.

[ef-note.com/products/drums/components/components.html](http://ef-note.com/products/drums/components/components.html)



\* Ef-Note Inc. cannot be held responsible for damage caused by improper use or modifications to the product, or loss of data.

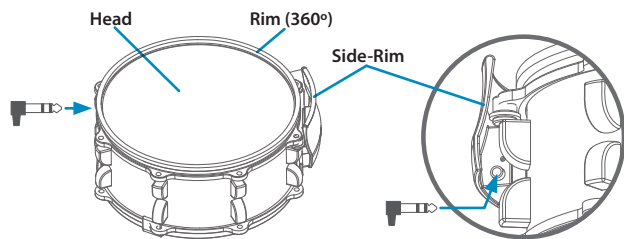
## Drum Pad

### For the mesh drum head models

- \* Adjust the tension of the drum head appropriately before use. If the tension is insufficient, the sensitivity will be inconsistent.
- \* As you play for an extended time, the drum head tension gradually loosens. Adjust the tension periodically.
- \* If a felt beater is used for the kick, the felt will be more liable to wear.
- \* Use the included beater patch to protect the mesh drum head of the kick against wearing.
- \* The mesh drum head, the hoop rubber, or the beater patch is a consumable item. If it is damaged, replace it as soon as possible.

### Snare Drum

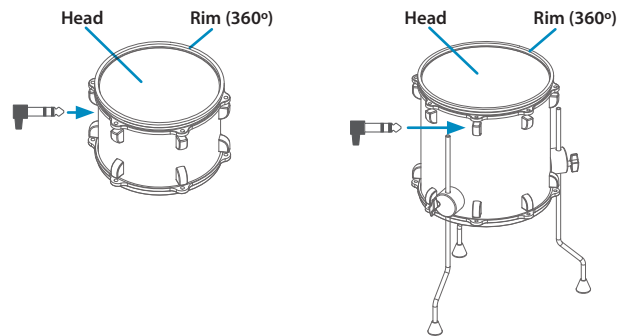
- \* The position of the side-rim can be changed as desired.  
(Representative model is shown)



5

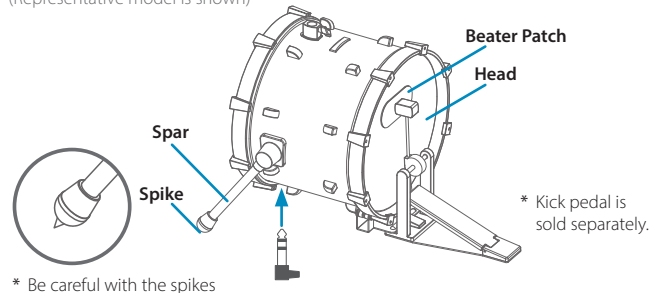
### Tom / Floor Tom

(Representative models are shown)



### Kick (Bass Drum)

(Representative model is shown)



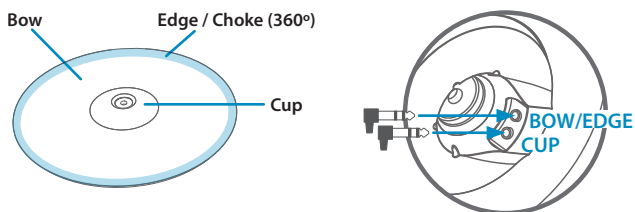
6

## Cymbal Pad

- \* The cymbal rotates freely. Take care that the cable is not unplugged or broken during performance.
- \* Do not leave a heavy object resting on the cymbal.

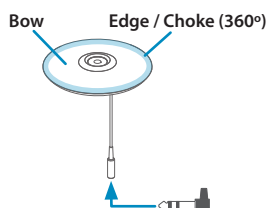
### Standard Cymbal

(Representative model is shown)



### Splash Cymbal

(Representative model is shown)

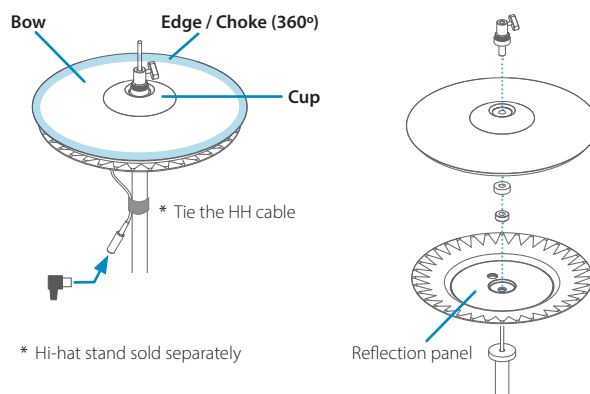


7

### Hi-Hat Cymbal

- \* Take care that the reflection panel does not become soiled. The performing characteristics might be degraded if this occurs. If it becomes soiled, wipe it clean with a damp cloth.
- \* If the sensor is subjected to extremely strong light, it might malfunction.
- \* The cup of hi-hat is available only with supported sound modules.
- \* Commercially available hi-hat stands compatible with  $\phi 12.7$  mm (1/2") hole cymbal can be used.

(Representative model is shown)



8

## Stand / Accessory

- \* Be careful not to pinch your fingers.
- \* Be sure to tighten all knobs and bolts firmly.
- \* Make sure that all stands are stable.